

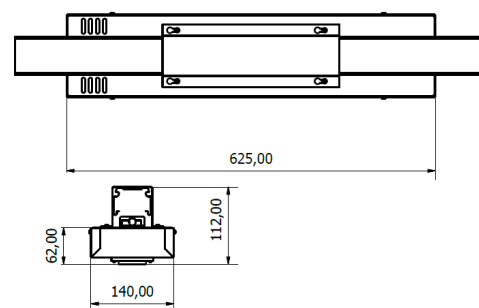


## QUARTZ

LED aisle racking and high bay luminaire. The energy efficient, high performance LED luminaire for warehouse and factory applications.

- IP20 (IP65 version available)
- MH/SON equivalent
- Aisle racking applications
- 70% energy saving over T5
- 15m spacings, 10m high to achieve 250 Lux
- 10 watts per square metre
- Cold store version available
- 144.6Lm/W
- CCT: 3000K / 4000K / 5000K
- Wattage: 95W / 125W / 160W / 190W
- Power Factor >0.9

### Dimensions



### Warranty

1-year guarantee available as standard

5-year extended warranty available on request

Description	Replaces	Weight (kg)	Circuit Watts (W)	Board Lumens	Luminaire Lumens	LI/cW
95W Aisle Racking Luminaire	150W SON/MH	4.8	95	13739	12970	136.5
125W Aisle Racking Luminaire	250W SON/MH	5.6	125	17174	16212	129.7
160W Aisle Racking Luminaire	250W SON/MH	5.7	160	21291	20099	125.6
190W Aisle Racking Luminaire	150W SON/MH	5.9	190	25832	24386	128.3
95W High Bay Luminaire	150W SON/MH	4.8	95	13793	12970	136.5
125W High Bay Luminaire	250W SON/MH	5.6	125	17174	16212	129.7
160W High Bay Luminaire	250W SON/MH	5.7	160	21291	20099	125.6
190W High Bay Luminaire	400W SON/MH	5.9	190	25832	24386	128.3